

## **Xbox 360 3 Red Light Repair Guide**



Hello and thank you for purchasing my Xbox 360 Repair Guide. Please read over the guide at least once before beginning the repair. Also, please follow the step-by-step instructions carefully and take your time with each step. If you have any questions please feel free to contact me @ [Admin@GamerBots.com](mailto:Admin@GamerBots.com).

### **Step One:**

**Place your fingers into the USB ports, then place your thumb on the bottom of the Xbox 360 console and pull the face plate completely off.**

### Step Two:

Now, flip the Xbox on its side and take a close look at the holes located on the top and bottom of each side. If you look closely, you can see the gray tabs towards the ends and in the center of the Xbox 360. These gray tabs are what holds the top and bottom pieces on the Xbox 360. To remove the top and bottom gray pieces, you will need a small pointed object as pictured below.



### Step Three:

Find the gray plastic tabs by poking down into the holes, then use your pry tool to very carefully push down and pry out the gray top/bottom cover, as shown below. Both pieces have three clips per side, and six per piece. In order to remove the top gray piece, you will need to remove the rubber pad. This is the only rubber pad you will have to remove. If you are careful you can remove by prying on the front of the gray cover. Please do not force or you may break the tabs.



#### Step Four:

Please take a close look at the back of the Xbox 360. On the right and left side there are small notches that will require a closer inspection. You will need a small screw driver or a thin probe tool. Using the probe, start on the left side (near power supply socket) push the catch into the Xbox until you hear a click. Then use a screw driver to keep the two sides apart. Once the left side is done, start on the right side doing the same thing to the remaining catches. This is probably the trickiest part of the whole process, so please take your time and be careful!

These are the notches for the back of the Xbox 360



You will hear a pop when you push these in.

#### Step Five:

Please switch around to the front of the Xbox and undo the four catches as shown below:

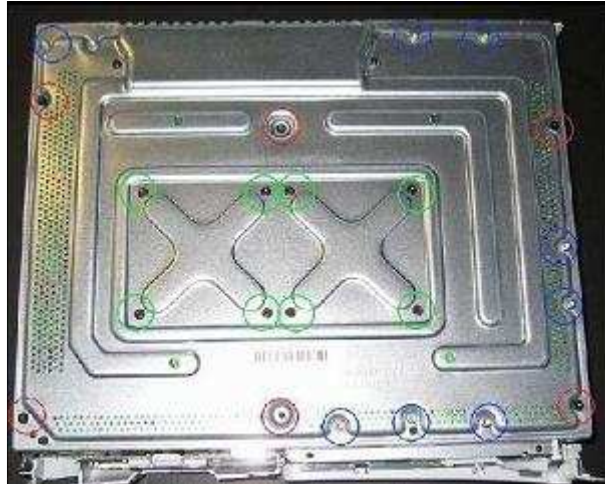
These are the latches on the front:



Once you have them all separated, pull off the bottom of the Xbox 360, be very gentle. Now, from the bottom of the Xbox 360 carefully flip the Xbox back over. Remove the DVD button arm assembly to keep it out of your way. You just need to gently pry it off the black plastic guide. Next, remove the top cover, watch the DVD button latch! ( it is seated in the front metal casing ) Disconnect the SATA connector from the motherboard and lift the DVD drive out of the case.

### Step Six:

Grab your Torx driver set. Using a T10 and T8 for this part of the dis-assembly. Gently unscrew the six T10 screws (as shown below), then use the T10 to unscrew all other screws. Now, unscrew the black screws with the T8 driver. Not all Xbox 360's have the same color screws. You will have to remove all screws!



### Step Seven:

You will now remove the white airflow guide. To remove the white plastic air guide, locate the notch on the top outward side. Insert your probe or small screw driver, and carefully pry the air guide out. It should come out very smoothly.

You can leave the wires on the left attached to the DVD Drive





### **Step Eight:**

**Next up you will need to disconnect the power for the cooling fans. Use your small screw driver or small probe tool to pry the fan catches out from the metal guard. This will allow you to remove the fan device from the Xbox 360 Casing.**



### Step Nine:

You will need to now look at the front of the Xbox 360 and locate the RF module. Remove the white plastic power cover. It pops right off by gently pulling on the plastic piece. Remove the three screws from the front circuit board (aka RF module). Once the screws are removed, you will be able to slide the RF module off the Xbox 360 with a gentle pull. Be careful not to touch any exposed circuits! Next, carefully lift the motherboard out of the Xbox 360 casing, as shown below, a detailed look at the motherboard with heat sinks installed.

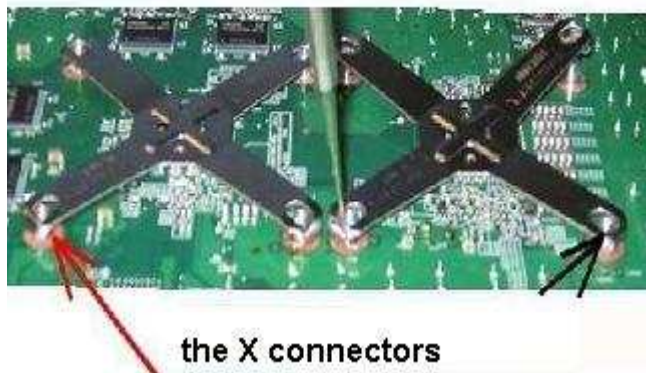


- 1 - Remove the white cover
- 2 - Remove 3 torx screws on RF module
- 3 - Pull RF module from the motherboard

### Step Ten:

Now with the motherboard removed, flip it over and find the two X connectors on the bottom of it. These are what hold the heat sinks on the CPU & GPU. Be **EXTREMELY** careful when removing these. It takes a little force, this could destroy your 360 if not applied properly and carefully. Just keep **VERY GENTLY** trying each one until you get them to release. I myself like to use a small pointy probe tool, carefully inserting it into each one until they release. I also try to stay away from the tiny black memory chips when doing this. Just remember, take your time and be very careful and you will have no problems with this step.

Insert the small pry tool from the side of

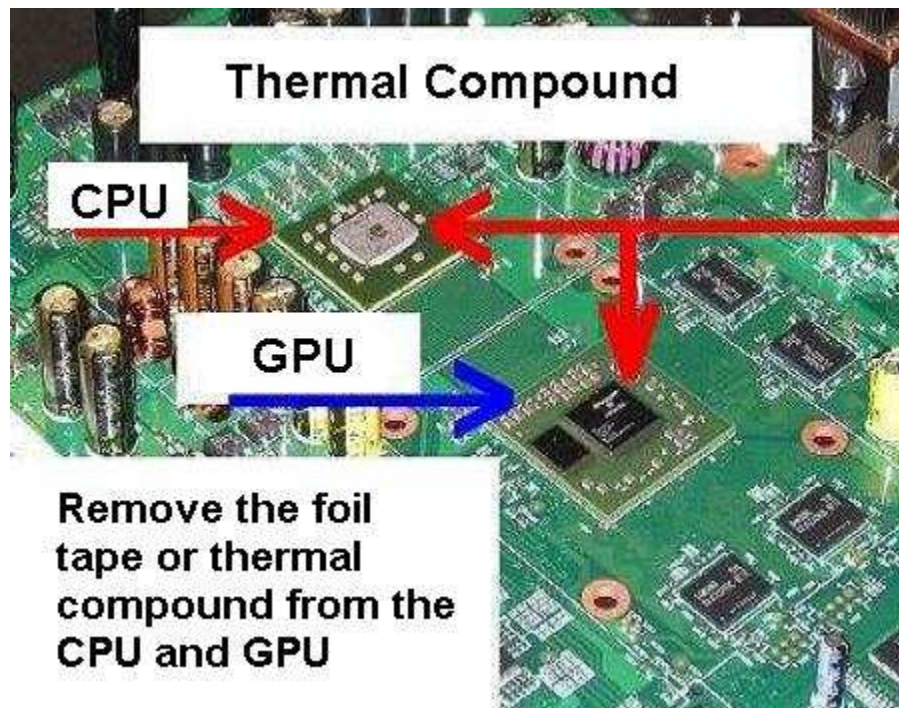


the X connectors

### Step Eleven:

In this step you will be removing the thermal compound from the GPU and CPU

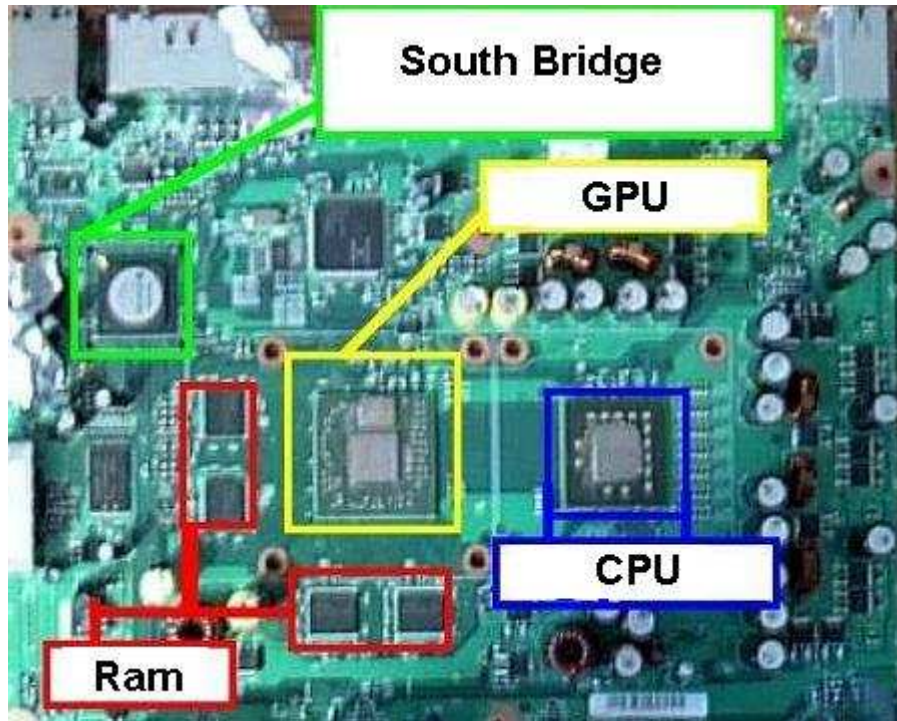
- Remove the cotton from a q-tip to scrape the thermal compound away. By doing this, it will remove the compound without damaging anything.
- Clean what is left on the GPU and CPU with thermal compound cleaning solution.
- You will want to replace it later with some Arctic Silver 5 thermal compound. This can be purchased at any computer shop, it's only about \$1 for a tube of it.



### Step Twelve:

After you have removed the CPU and GPU heat sinks you will need to heat the board. You will need a heat gun or solder re-flow gun. If you don't have one, you probably know someone who does so just ask a friend. You can also purchase one for relatively cheap from a local hardware store.

You will want to cover a couple plastic parts on the board with foil so they do not melt. Be careful to not overheat one area of the board to long.



Please don't concentrate on one spot longer then 25 seconds per side. I personally do each chip individually. Heat one side for 20-25 seconds then flip the board over and heat the opposite side of the chip for 15-20 seconds. Concentrate primarily on the CPU, South Bridge, GPU, and Ram. You will want to run it for about 3-4 minutes. After you are finished let the board gradually cool for about 10 to 15 minutes.

After that, do the process over again for another 3 to 4 minutes. Always use extra caution not to over due it, please! It's not that difficult to take it apart after you've already done it.

### Step Thirteen:

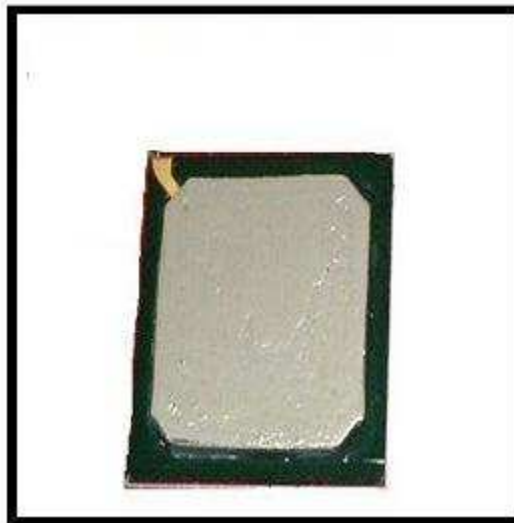
#### Replacing the thermal compound

- Now you may replace the thermal compound on the GPU and CPU. Do not forget the little silver chip next to the GPU.
- Here is a small tutorial I found on eBay explaining how to apply thermal compound. ([Click me for the tutorial](#)). Again, if you need to purchase the thermal compound, you can find it at almost any local computer shop or you can purchase it off eBay as well.

After you have applied the thermal compound, place the heat sinks back in place. Please be careful and take your time, use patience when putting them back in place.

If you have problems and they do not snap on easy; try using a pair of needle nosed pliers to very gently squeeze one end into place and the other should snap on easily. If you bend them a little, try bending them back a little bit while the other ends are in place.

Below is a picture of what the chip should look like with thermal compound applied:



### Step Fourteen:

**You're almost done! This step will cover putting the Xbox 360 back together and then turning it on.**

- **Place the board back in the metal tray and place the tiny black heat sink screws. Make sure they are very firm, but please do not over tighten them or they will break!**
  - **If you have a drill with a tension setting, use that.**
- **Replace the front circuit board you have removed, aka the RF module**
- **You may have to push down carefully on the board to get it to slide into place, once this is done, replace the 3 torx screws on the RF module.**
  - **Now put the fan back in place and plug it in.**
  - **Next up, replace the Xbox 360 white fan cover.**

**You can now plug in the Xbox 360 and turn it on 😊**



**Hopefully your Xbox 360 works and you can now have the comfort of knowing you saved a ton of money by not sending in the console to Microsoft! The 3 red lights error most likely will not happen again, but if it does you now have the knowledge of how to fix it. Please play the Xbox 360 on low settings for at least 20 days so it can set up and cure. Enjoy ! 😊**

**Copyright © 2007**